

LONGARM QUILTING

SIT-DOWN QUILTING

REIMAGINED

SWISS
ENGINEERING



made to create **BERNINA**

MORE FEATURES. MORE FREEDOM.

A whole new world of possibilities.

Every longarm machine lets you sew larger quilts, but only one takes quilting to places it's never been before. From the moment you first drive a BERNINA Q Series Longarm, you'll appreciate the ergonomics, the smooth glide of the machine on the fabric, and the impeccable stitch quality. That's because every machine in the BERNINA Q Series is synonymous with Swiss engineering, awe-inspiring precision, and unrivalled innovation.

BERNINA has combined its 130-plus years of innovation with the wisdom of longarm quilters to create the amazing Q Series. Thanks to the many exclusive features, quilters can now experience a whole new level of creativity. The result is a series of longarm machines that deliver outstanding performance.

Whether you select a Q Series on Frame or a Q Series Sit-down, you'll enjoy exceptional features – from the customisable interface to the generous throat space to the ease of threading and the innovative BERNINA Stitch Regulator.

Once you take any of our BERNINA Longarm machines for a test drive, you'll see why ordinary longarm machines simply can't compare.





BERNINA Stitch Regulator (BSR)

Equipped with two optical sensors, this innovative system offers superior stitch quality and maximum flexibility. There are three modes, which result in impeccable stitches at any length, regardless of how fast or slow you move the fabric or machine. A manual mode with no stitch regulation is also available.



Unique Threading Path

The spool holders are positioned towards the front of the machine with a threading path that's simple to follow. The short thread path supports optimum thread tension.



Upper Thread Tension Control

BERNINA delivers electronically adjustable and numeric thread tension control. With just a few easy clicks, you can digitally adjust thread tension, and track the settings for your favourite thread types and combinations.



Integrated Bobbin Winder

This on-board bobbin winder (M Class bobbin) conveniently winds coordinating bobbin threads for your projects, independent of machine operation.



“Quilting is more than a hobby. It’s a way for me to express myself. It allows me to work through those big feelings of life...through the times that I’m grieving, through the times that I’m celebrating, and to create something so that I can remember those experiences...and when I’m done I can actually wrap myself up in what I’ve created.”

CHRISTY BURCHAM, QUILTER AND EDUCATOR

Bobbin winder

lets you quickly prepare the exclusive, large, M-class bobbins from the front of the machine. You can also adjust winding speed on-screen, independent of machine operation.

4.3" colour touch screen

is easy to navigate and customisable, giving you optimum control over your quilting.

Upper thread tension control

adjusts thread tension digitally and tracks settings for your favourite thread types. You can save tension and machine settings in User Profile.

Fully operated from front

Dual hand wheels (front and back) control the needle, offering function and convenience regardless of operating position.

Dual BERNINA Stitch Regulator (BSR)

keeps stitches even and consistent regardless of quilting speed and quilt design complexity; comes with three BSR modes, including one for basting.

Standard sewing needles

that are compatible with domestic machines can be used on our longarm; the flat-back needles are easy to insert in the correct position.



INTRODUCE YOURSELF TO THE BERNINA Q SERIES AND RE-THINK POSSIBLE.

Once you drive a BERNINA, nothing else will do.

Used to quilting on a domestic sewing machine? Imagine how much easier it would be if you had more space to manage and move big, heavy quilts. The BERNINA Q Series gives you that space. Lots of it. And that's not all. You'll also enjoy stitch regulation perfection,

easy free-motion quilting and a whole lot of exclusive features and capabilities you won't find in other machines. Of course, the only way to experience just how superior BERNINA is; come in and take one for a test drive. Your neck and shoulders will thank you.



LED Lighting

50 LED lights give you a variety of lighting options for the tasks that you're doing.

BERNINA
SWISS ENGINEERING

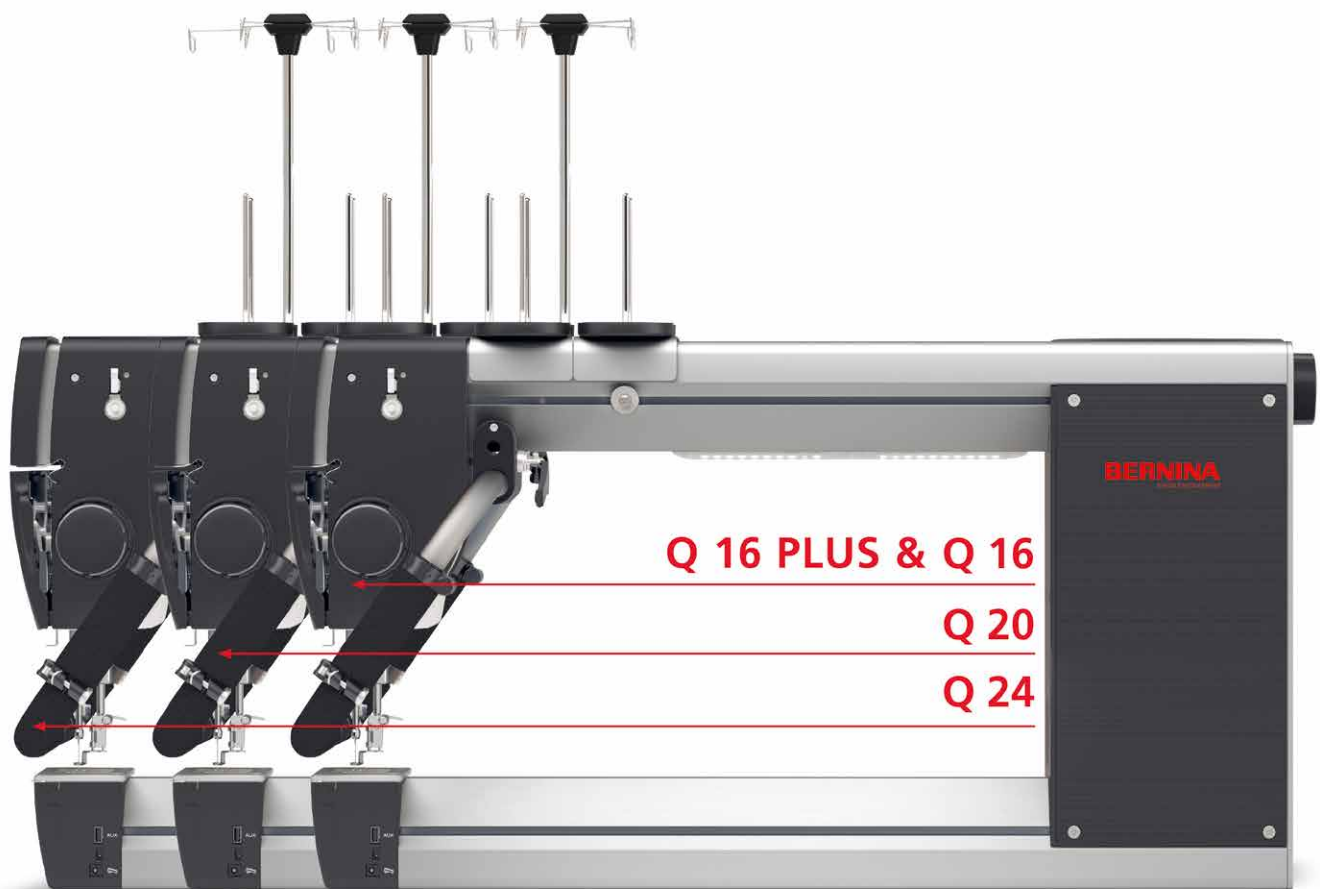
DIFFERENT QUILTERS HAVE DIFFERENT NEEDS.

Have big ideas but not a lot of space? Try a BERNINA Q 16, Q 16 PLUS or Q 20 on for size.

All three machines can be paired with the Adjustable Foldable Table or with the Q Series Lift Table. If you think you may want to upgrade to a frame, the BERNINA Q 16 PLUS and Q 20 pair with the BERNINA Studio Frame.

With 16" of throat space, both the Q 16 & Q 16 PLUS have more throat space than your domestic machine. Meanwhile, the Q 20 gives you 20" of throat space and a little extra space to create.

Whatever you decide, you'll enjoy the exceptional benefits discussed on the previous page. The BERNINA Q Series gives you the freedom of control, and the confidence that comes with knowing your creativity doesn't have to be limited by the size of your space.



Q 24 is for frame option only.

When you're ready to dream really big,
you can make it happen.

Ready to progress? Don't worry – your Q 20 and Q 16 PLUS can also be used on one of the BERNINA frames, like our largest Q machine, the Q 24. Optionally the Studio Frame is compatible with the Q 16 PLUS and Q 20 and our Small, Classic and Large PRO Frames are compatible with the Q 20 and the Q 24.





SMALL SPACES. **BIG IDEAS.**

LOOK AT ALL THE GREAT FEATURES YOU'LL FIND ON EVERY BERNINA Q SERIES MACHINE:

- Conveniently Located 4.3" Colour Touch Screen
- 50 LED Lights for Optimum Freearm Illumination
- On-Screen Help, Animations & Tutorials
- Front Handwheel
- Back Handwheel
- Integrated Needle Threader
- Digital Upper Thread Tension Control
- Upper Thread Sensor
- M Class BERNINA Rotary Hook System
- On-board Bobbin Winder
- Bobbin Thread Indicator
- BERNINA Stitch Regulator (BSR)
- Maximum Stitch Length in BSR Mode (one stitch per inch)
- Minimum Stitch Length in BSR Mode (24 stitches per inch)
- Automatic Presser Foot Lift
- Five User Profiles
- Presser Foot System
Standard Foot: #9
- Optional Feet: #15, #24, #26, #29, #43, #44C, #72, #72S, #73, #74, #96
- Bobbin Thread Tension Gauge
- Machine Needle System is compatible with domestic machine needles
- Twin Needle compatible with optional Twin Needle Stitch Plate Accessory

Distinct Machine Features

BERNINA Longarm Model	Q 16 Sit-down	Q 16 PLUS Sit-down	Q 20 Sit-down
Throat Space (length and height)	16 ½" L 11" H	16 ½" L 11" H	20" L 11" H
Programmable Foot Control	✓	✓	✓
USB Ports	1	1	2
Maximum Sewing Speed (stitches per minute)	2,000 SPM	2,200 SPM	2,200 SPM
Optional Accessory Connections	✓	✓	✓

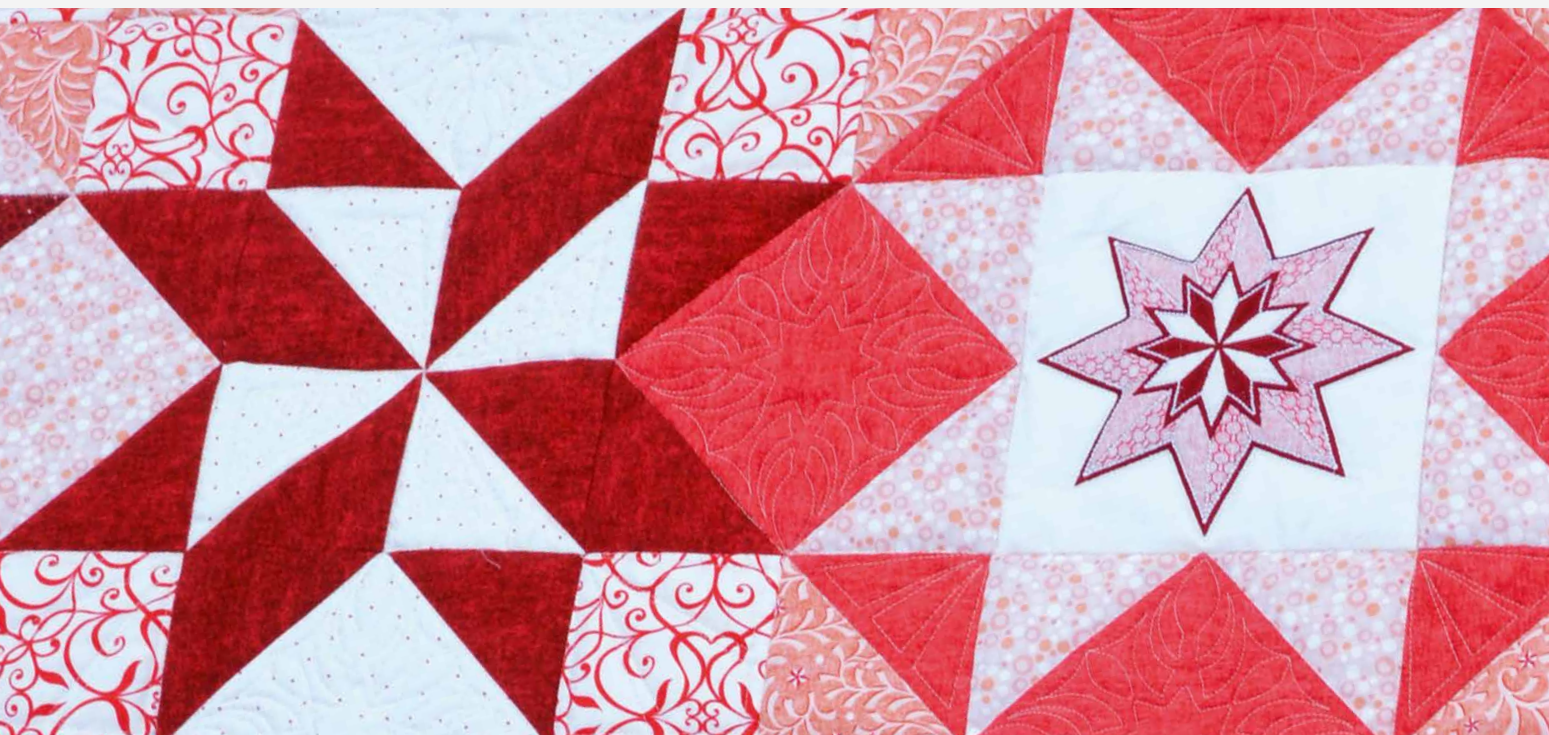
SIT DOWN, MAKE YOURSELF COMFORTABLE AND GET READY TO CREATE.

Big ideas. Small spaces.

When you combine the large throat space of the Q Series with our exclusive tables you'll start to see how BERNINA is redefining the quilting experience. So get ready to bring your big ideas to life – even if you only have a small space.

High-speed precision. Exceptional ergonomics. Total customisation.

In a word, BERNINA. Whether you're sitting down at the Q 16, Q 16 PLUS or Q 20, you'll experience unrivalled freedom – from the roomy quilting space to the exclusive BERNINA Stitch Regulator to the ease of free-motion quilting. And with everything you need to operate the Q Series at the front of the machine, creating is easier and dreamier than ever before.



"I'm no longer limited to perfect stitches just on my sewing machine, now I get them on my Longarm."

RON STEINBACHER, QUILTING ENTHUSIAST



When it comes to comfort and choice, no one offers you more flexibility than BERNINA.

Our Q 16, Q 16 PLUS and Q 20 can be paired with sit-down options specifically to fit your needs. From our height-adjustable Q Series Lift Table with a generous work area to a foldable version for optimal storage, you're sure to find your perfect set up. Plus, our Q 16 PLUS and Q 20 can grow with you because they also work on our frames and are automation ready.



“The perfect match for longarm lovers like me.”

AMANDA MURPHY, QUILT AND PATTERN DESIGNER

WHEN IT COMES TO SIT-DOWN QUILTING, EVERY CHOICE IS Q-PERFECT.

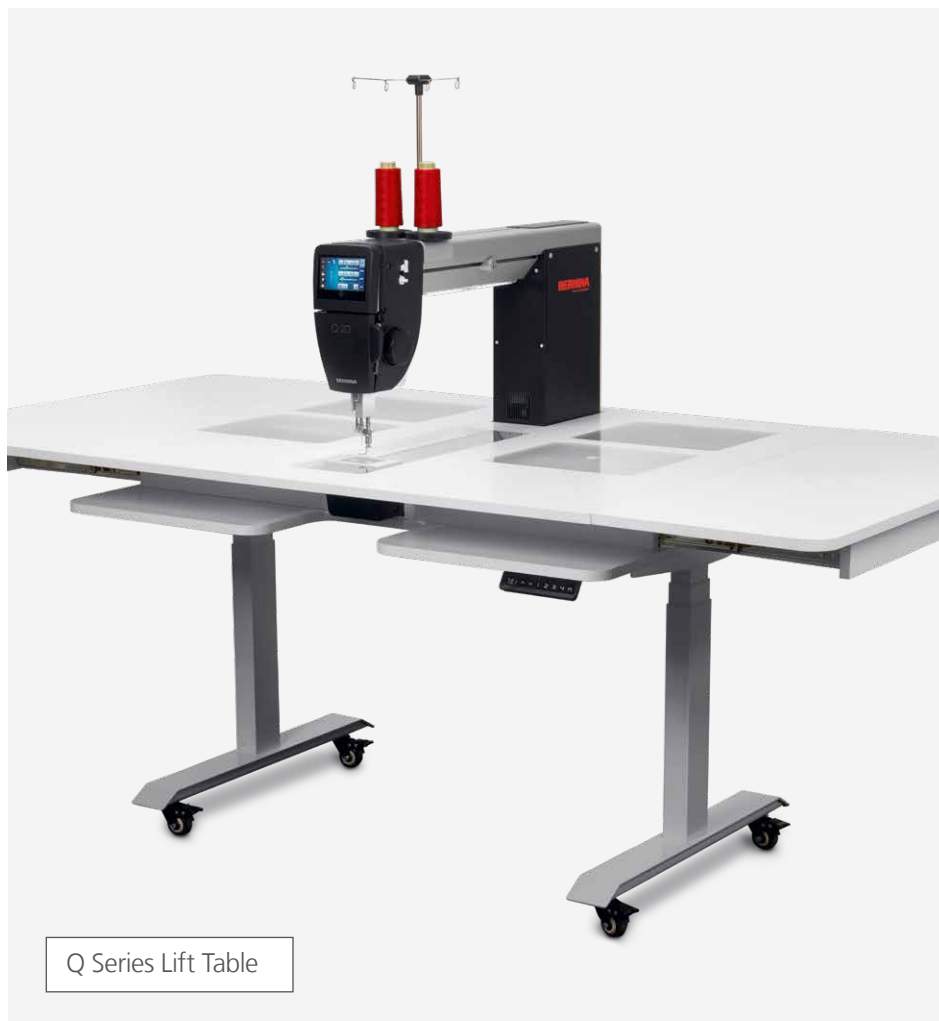
HOW YOU SUPPORT YOUR QUILTING VISION IS UP TO YOU.

BERNINA tables are designed to fit the Q 20, Q 16 PLUS, and Q 16 longarm machines. The variety of sizes, options, and features ensures you'll find the one that works best for your space and specific quilting needs.

POWER UP YOUR QUILTING WITH OUR Q SERIES LIFT TABLE.*

This powered, height-adjusted table is a favourite choice. Not only does it make it easy to adjust your quilting position, the hinged side leaves also provide extra quilting space that extends out, which is really great for larger, bulky quilts. Whether you're sitting or standing, it's just one more way BERNINA powers up your quilting potential.

- Easy Adjustable Height from 72 to 121 cm / 28" to 48"
- Size tabletop: 125 x 100 cm / 49" x 39"
- Size tabletop expanded: 200 x 100 cm / 79" x 39"
- Electrical height adjustment
- Casters included
- Integrated storage solutions
- Intuitive, easy, and fast set-up



* Not all tables are available in all countries. Please check with your local dealer for available table options.



THINK BIG IN SMALL SPACES WITH OUR FOLDABLE TABLE.

Space-saving design. Affordable price. Superior quality. With this super-compact table, space is no barrier to bringing your big ideas to life. It can be set to three different heights and gives you a surprising amount of working surface. Once you're done, remove the machine, and the table folds down to a width of 9 inches for easy storage.

- For small space requirements
- Height positions: 71, 76 and 81 cm / 28", 30" and 32"
- Size tabletop: 90 x 120 cm / 36" x 47"
- Fast and comfortable set up
- Easy store away
- No tools required



Adjustable Foldable Table



MAXIMISE THE MAGIC WITH THESE AMAZING Q SERIES SIT-DOWN ACCESSORIES.



Darning Foot #9 **Multi-purpose hopping foot**

Perfect for free-motion quilting, this foot comes standard with all BERNINA Q Series machines.



Embroidery Foot #15

Slight upward sole is recommended for appliqué and free-motion quilting.



Free Motion Embroidery Foot #24

The open sole design is great for appliqué and free-motion quilting.



Drop-Shaped Embroidery Foot #26

Recommended for dense quilting such as thread painting.



Quilting Foot #29

Perfect for free-motion quilting where there's filler designs and embellishments.



Free-Motion Couching Foot #43

Designed for appliqué with cords, yarn and ribbon up to 2mm in diameter.



Echo Quilting and CutWork Foot #44C

Good for echo & shadow quilting, free-motion quilting, thread painting and automated quilting.



Adjustable Ruler Foot #72

Lets you sew along rulers.



Adjustable Ruler Foot with Slit #72S

Lets you sew along rulers and quickly change to an open free-motion foot.



Adjustable Stippling Foot #73

Open toe simplifies free-motion quilting for small designs and detail work.



Adjustable Gliding Cup Foot #74

For free-motion, echo and shadow quilting, it aids in quilting around dimensional elements.



Ruler Foot #96

Free-motion foot used primarily in combination with ¼" templates of acrylic glass.

Echo Quilting Clips

Use with Adjustable Ruler Foot #72S and #96 to create echo quilting patterns.

Twin Needle Stitch Plate

Easily clips into place for decorative sewing with size 3 mm or 4 mm twin needles.

Couching Inserts

Use with Adjustable Ruler Foot #72S for yarn, cord, wool and felt couching & metallics.

Cup Clip

Use with Foot #96 for quilting over thicker seams, embroidery motifs or appliqués, it's ideal for pantograph and Q-matic.

Silicone Fluid Thread Lubrication Unit

is recommended when working with metallic and loosely twisted threads.

Oil Pen Use regularly to ensure your longarm quilting machine runs smoothly.

USB Stick For storing data, quilt patterns and updated files.

Needle Point Laser

Enables you to accurately place the needle without guesswork or using the handwheel.

Vertical Spool Holder

Gives you extra space for your favourite threads.

ACCESSORIES FOR THE Q SERIES TABLES

Gripper Rings give you more control while quilting, and help provide precise guiding.

- Flat and wrinkle-free quilting
- Set includes 8" and 11" gripper ring



Dust Cover Ideal for protecting your machine from dust when not in use.

- Compatible with Q 20, Q 16 PLUS and Q 16



Ruler Kits

Contain rulers with different templates that vary in size and style.

- Easy and accurate ruler work
- Use with Adjustable Ruler Foot #72, #72S and Ruler Foot #96





WHEN YOU'RE READY TO MOVE UP TO A FRAME, BERNINA HAS JUST WHAT YOU'RE LOOKING FOR.

Whether you have a small space or a really large space, a small budget or a big budget, BERNINA has the frames and machines to take your creations to a whole new level.

made to create **BERNINA**

Not all models and accessories are available in all countries. We reserve the right to make changes to machine features, equipment and design. Additional information available at your local BERNINA store.

BERNINA recommends threads from

Mettler[®]